

TA-NFKF



Type N Female to 4.1-9.5 DIN Female Low-PIM Adapter

OBSOLETE

Product Classification

Product Type Adapter

General Specifications

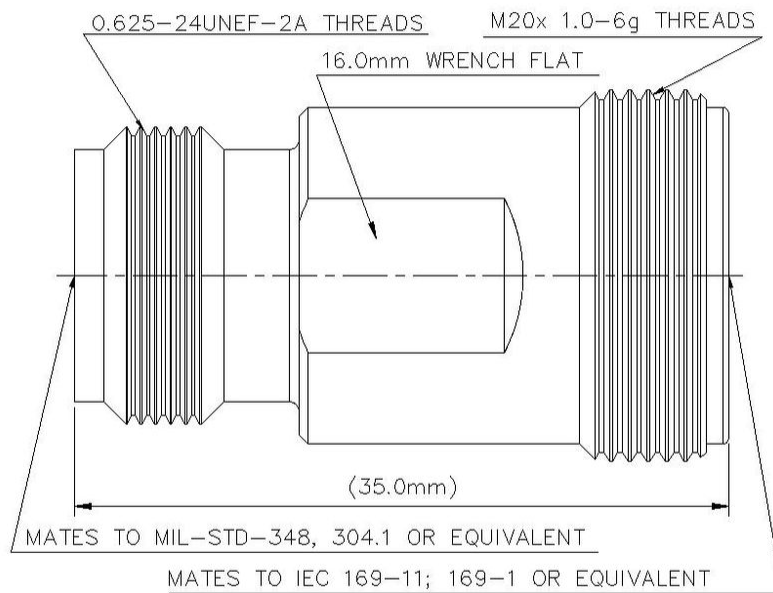
Body Style Straight
Inner Contact Plating Silver
Interface 4.1-9.5 DIN Female
Interface 2 N Female
Mounting Angle Straight
Outer Contact Plating Trimetal
Pressurizable No

Dimensions

Width 19.88 mm | 0.783 in
Length 35 mm | 1.378 in
Diameter 19.88 mm | 0.783 in

TA-NFKF

Outline Drawing



Electrical Specifications

| | |
|--|----------------------|
| 3rd Order IMD at Frequency | -163 -dBc @ 1800 MHz |
| 3rd Order IMD Test Method | Two +43 dBm carriers |
| Average Power at Frequency | 600.0 W @ 900 MHz |
| Connector Impedance | 50 ohm |
| dc Test Voltage | 2500 V |
| Inner Contact Resistance, maximum | 1.5 mOhm |
| Insulation Resistance, minimum | 5000 MOhm |
| Operating Frequency Band | 0 – 6000 MHz |
| Outer Contact Resistance, maximum | 0.4 mOhm |

TA-NFKF

| | |
|---|-------|
| Peak Power, maximum | 10 kW |
| RF Operating Voltage, maximum (vrms) | 707 V |

VSWR/Return Loss

| Frequency Band | VSWR | Return Loss (dB) |
|-----------------------|-------------|-------------------------|
| 0–3000 MHz | 1.03 | 38 |
| 3000–6000 MHz | 1.09 | 28 |

Mechanical Specifications

| | |
|--|------------------------|
| Coupling Nut Proof Torque | 15 N-m 132.761 in lb |
| Coupling Nut Retention Force | 550 N 123.645 lbf |
| Coupling Nut Retention Force Method | IEC 61169-4:15.2.6 |
| Insertion Force | 27 N 6.07 lbf |
| Insertion Force Method | IEC 61169-16:9.3.5 |
| Interface Durability | 500 cycles |
| Mechanical Shock Test Method | IEC 60068-2-27 |

Environmental Specifications

| | |
|---|---------------------------------------|
| Operating Temperature | -55 °C to +85 °C (-67 °F to +185 °F) |
| Storage Temperature | -65 °C to +125 °C (-85 °F to +257 °F) |
| Average Power, Ambient Temperature | 40 °C 104 °F |
| Average Power, Inner Conductor Temperature | 100 °C 212 °F |
| Climatic Sequence Test Method | IEC 60068-1 |
| Corrosion Test Method | IEC 60068-2-11 |
| Damp Heat Steady State Test Method | IEC 60068-2-3 |
| Thermal Shock Test Method | IEC 60068-2-14 |
| Vibration Test Method | IEC 60068-2-6 |

Packaging and Weights

| | |
|--------------------|--------------------|
| Weight, net | 49.26 g 0.109 lb |
|--------------------|--------------------|

Regulatory Compliance/Certifications

| Agency | Classification |
|---------------|--|
| ISO 9001:2015 | Designed, manufactured and/or distributed under this quality management system |

TA-NFKF

