

CELLMAX-D-431



Cell-Max™ Directional In-building Antenna, 698–960 MHz, 1710–2700 MHz, 4.3-10

Product Classification

Product Type	In-building antenna
Product Brand	Cell-Max™

General Specifications

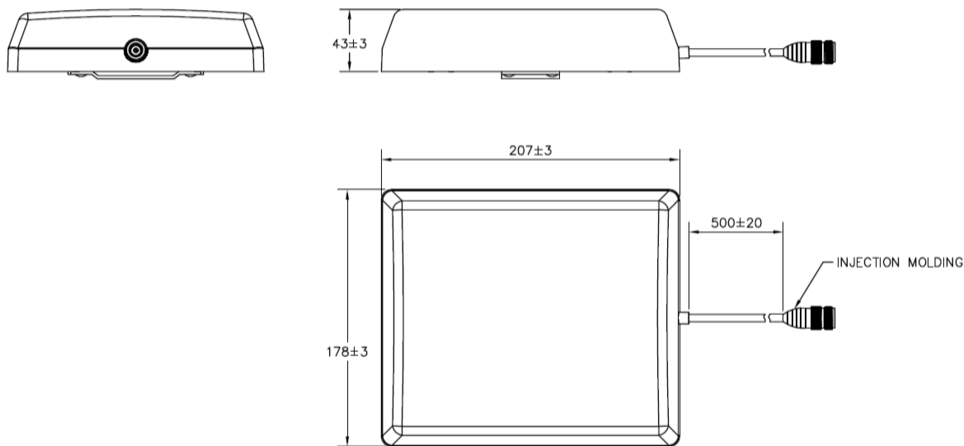
Application	Indoor
Antenna Type	Directional
Antenna Array Characteristic	SISO
Polarization	Vertical
Color	White
Mounting	4-hole wall mounting plate and hardware (included)
Number of Ports	1
Pigtail Cable	670-141SXE, plenum rated
Radome Material	ABS
RF Connector Interface	4.3-10 Female

Dimensions

Width	180 mm 7.087 in
Length	210 mm 8.268 in
Pigtail Length	500 mm 19.685 in
Depth	44 mm 1.732 in

CELLMAX-D-43I

Outline Drawing



Electrical Specifications

Electrical Note	PIM specifications are less than or equal to the stated value
Impedance	50 ohm
Operating Frequency Band	1710 – 2700 MHz 698 – 960 MHz

Electrical Specifications

Frequency Band, MHz	698–800	800–960	1710–2170	2200–2700
Gain, dBi	5.1	5.8	8.7	6.9
Beamwidth, Horizontal, degrees	128	94	60	54
Beamwidth, Vertical, degrees	85	82	57	38
VSWR Return loss, dB	1.7 11.7	1.5 14.0	1.5 14.0	1.5 14.0

CELLMAX-D-431

PIM, 3rd Order, 2 x 20 W, dBc	-140	-140	-140	-140
Input Power per Port, maximum, watts	50	50	50	50

Environmental Specifications

Operating Temperature	-40 °C to +60 °C (-40 °F to +140 °F)
Relative Humidity	Up to 100%

Packaging and Weights

Width, packed	190 mm 7.48 in
Depth, packed	55 mm 2.165 in
Length, packed	250 mm 9.843 in
Packaging quantity	1
Weight, gross	0.8 kg 1.764 lb
Weight, net	0.6 kg 1.323 lb

Regulatory Compliance/Certifications

Agency	Classification
CHINA-ROHS	Below maximum concentration value
ISO 9001:2015	Designed, manufactured and/or distributed under this quality management system
ROHS	Compliant

