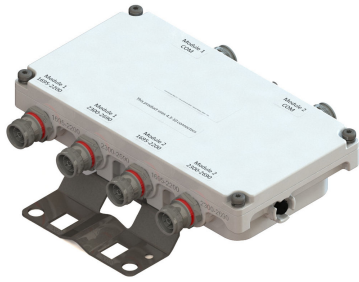


# CBC1726T-4310 | E14F55P09

---



Ultra Compact Twin Diplexer 1695-2200/2300-2690 MHz, 4.3-10 connectors

- Ideal for small cell applications
- Compact form factor with reduced size and weight
- Suitable for space limited applications like Metro Cell, Lamp Pole and Concealment Solution
- Industry leading PIM performance
- Designed for network modernization application, introduction of LTE 4x4 MIMO
- Twin configuration
- New 4.3-10 connectors for improved PIM performance and size reduction

## Product Classification

**Product Type** Diplexer

## General Specifications

**Product Family** CBC1726

**Color** Gray

**Common Port Label** COMMON

**Modularity** 2-Twin

**RF Connector Interface** 4.3-10 Female

**RF Connector Interface Body Style** Long neck

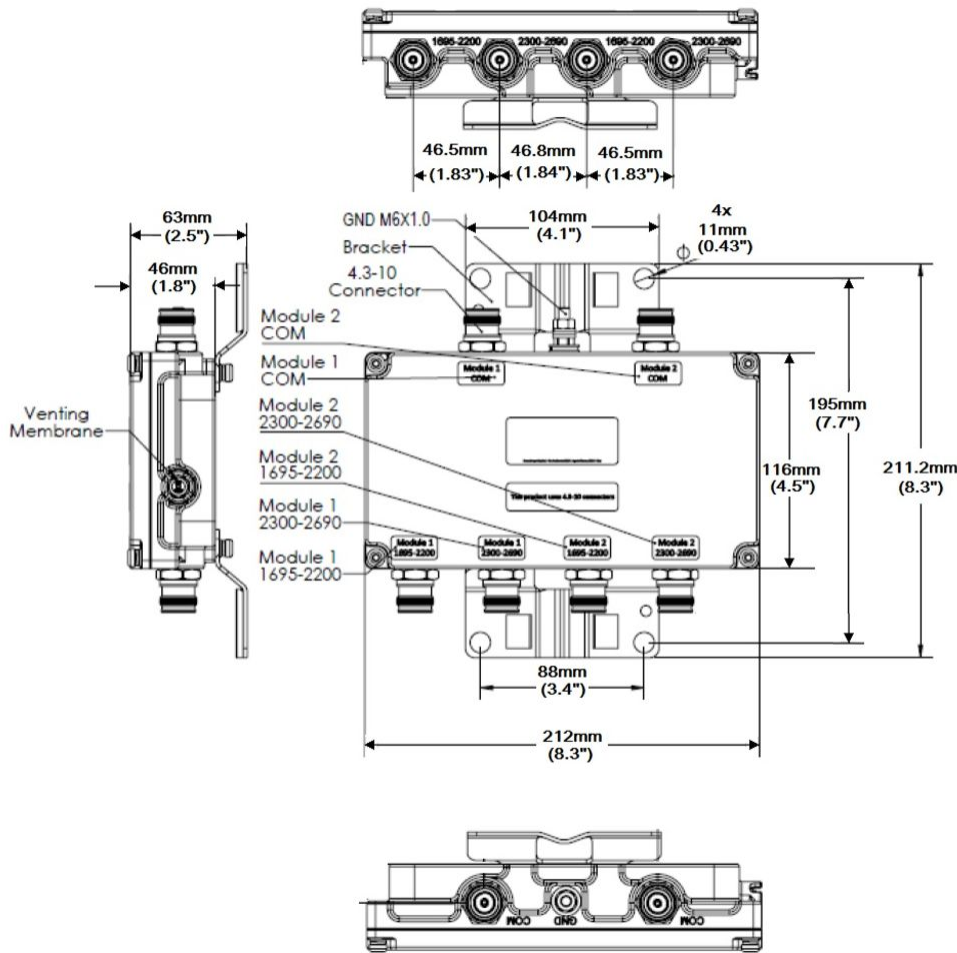
## Dimensions

**Height** 212 mm | 8.346 in

**Width** 116 mm | 4.567 in

**Depth** 46 mm | 1.811 in

## Outline Drawing



## Electrical Specifications

<b>Impedance</b>	50 ohm
<b>License Band, Band Pass</b>	AWS 1700   DCS 1800   IMT 2100   IMT 2600   PCS 1900   TDD 2300   TDD 2600   WCS 2300

## Electrical Specifications, dc Power/Alarm

<b>dc/AISG Pass-through Method</b>	No dc/AISG pass-through
<b>dc/AISG Pass-through, combiner</b>	dc/AISG blocking on all ports
<b>dc/AISG Pass-through, demultiplexer</b>	dc/AISG blocking on all ports
<b>Lightning Surge Current</b>	5 kA
<b>Lightning Surge Current Waveform</b>	8/20 waveform

# CBC1726T-4310 | E14F55P09

---

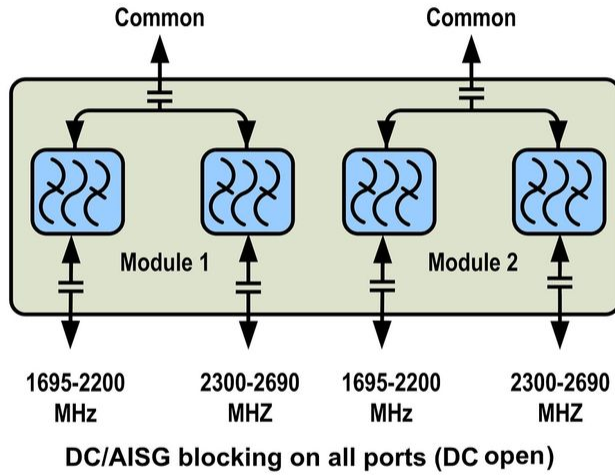
## Electrical Specifications

<b>Sub-module</b>	<b>1   2</b>	<b>1   2</b>
<b>Branch</b>	1	2
<b>Port Designation</b>	Port 1695-2200	Port 2300-2690
<b>License Band</b>	[6, 8, 2, 13]	[21, 20, 17, 9]

## Electrical Specifications, Band Pass

<b>Frequency Range, MHz</b>	<b>1695–2200</b>	<b>2300–2690</b>
<b>Insertion Loss, typical, dB</b>	0.25	0.25
<b>Total Group Delay, maximum, ns</b>	12	12
<b>Return Loss, minimum, dB</b>	20	20
<b>Return Loss, typical, dB</b>	23	23
<b>Isolation, typical, dB</b>	40	40
<b>Input Power, RMS, maximum, W</b>	100	100
<b>Input Power, PEP, maximum, W</b>	1500	1500
<b>3rd Order PIM, typical, dBc</b>	-161	-161
<b>3rd Order PIM Test Method</b>	2 x 20 W CW tones	2 x 20 W CW tones

## Block Diagram



## Material Specifications

**Finish** Painted

## Environmental Specifications

**Operating Temperature** -40 °C to +65 °C (-40 °F to +149 °F)

**Relative Humidity** Up to 100%

**Corrosion Test Method** IEC 60068-2-11, 30 days

**Ingress Protection Test Method** IEC 60529:2001, IP67

## Packaging and Weights

**Mounting Hardware Weight** 0.2 kg | 0.441 lb

**Weight, without mounting hardware** 1.9 kg | 4.189 lb