

# CBC1726-DP-2X | E11F02P49

---



Twin Diplexer, 1695-2180//2300-2690 MHz, dc bypass all ports, AISG Compatible 1.1-2.0

## Product Classification

**Product Type** Diplexer

## General Specifications

**Product Family** CBC1726

**Color** Gray

**Common Port Label** COMM

**Modularity** 2-Twin

**Mounting** Pole | Wall

**Mounting Pipe Hardware** Band clamps (2)

**RF Connector Interface** 7-16 DIN Female

**RF Connector Interface Body Style** Long neck

## Dimensions

**Height** 152.4 mm | 6 in

**Width** 123 mm | 4.843 in

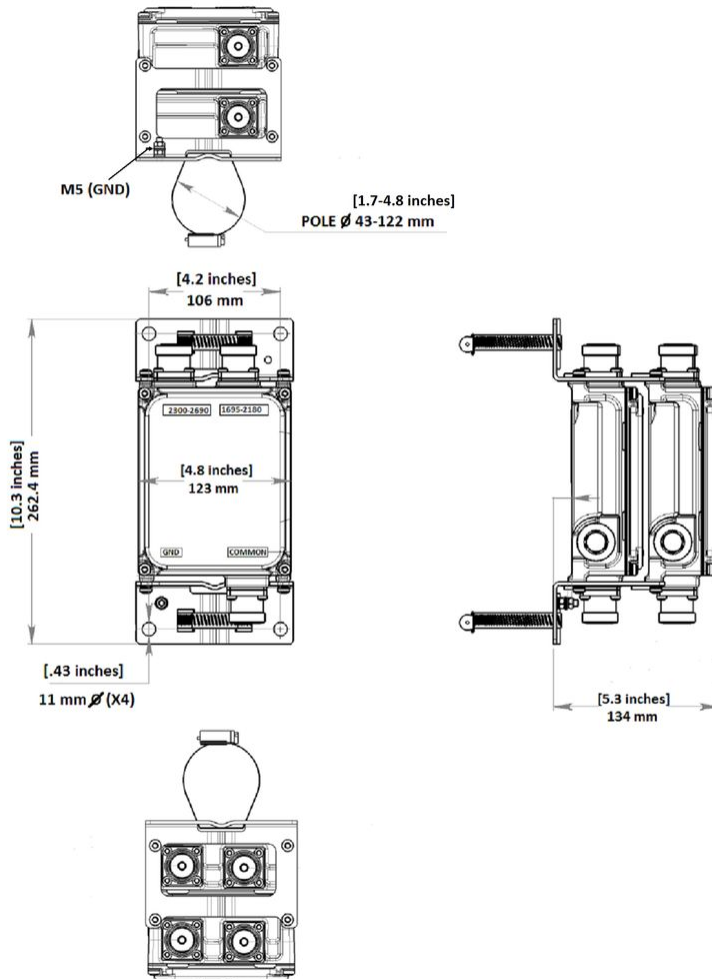
**Depth** 121.2 mm | 4.772 in

**Ground Screw Diameter** 6 mm | 0.236 in

**Mounting Pipe Diameter Range** 42.6–122 mm

# CBC1726-DP-2X | E11F02P49

## Outline Drawing



## Electrical Specifications

### Impedance

50 ohm

### License Band, Band Pass

AWS 1700 | DCS 1800 | IMT 2100 | IMT 2600 | PCS 1900 | TDD 1900 | TDD 2000 | TDD 2300 | TDD 2600 | WCS 2300

## Electrical Specifications, dc Power/Alarm

### dc/AISG Pass-through, combiner

Branch 1 | Branch 2

### dc/AISG Pass-through, demultiplexer

Branch 1 | Branch 2

### Lightning Surge Current

3 kA

### Lightning Surge Current Waveform

10/350 waveform

### Voltage

7–30 Vdc

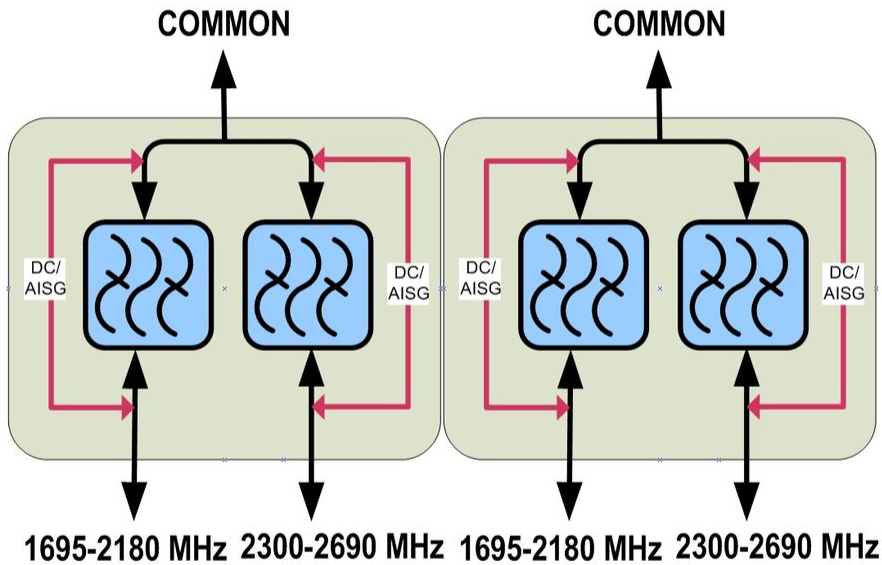
## Electrical Specifications

<b>Sub-module</b>	<b>1   2</b>	<b>1   2</b>
<b>Branch</b>	1	2
<b>Port Designation</b>	1695-2180	2300-2690
<b>License Band</b>	[2, 6, 8, 13, 18, 19]	[9, 17, 20, 21]

## Electrical Specifications, Band Pass

	<b>1695–2180</b>	<b>2300–2690</b>
<b>Frequency Range, MHz</b>	<b>1695–2180</b>	<b>2300–2690</b>
<b>Insertion Loss, maximum, dB</b>	0.4	0.4
<b>Insertion Loss, typical, dB</b>	0.3	0.35
<b>Total Group Delay, maximum, ns</b>	30	30
<b>Return Loss, minimum, dB</b>	18	18
<b>Return Loss, typical, dB</b>	20	20
<b>Isolation, minimum, dB</b>	50	50
<b>Input Power, RMS, maximum, W</b>	300	300
<b>Input Power, PEP, maximum, W</b>	3500	3500
<b>3rd Order PIM, typical, dBc</b>	-153	-153
<b>3rd Order PIM Test Method</b>	2 x 20 W CW tones	2 x 20 W CW tones

## Block Diagram



## Environmental Specifications

<b>Operating Temperature</b>	-40 °C to +65 °C (-40 °F to +149 °F)
<b>Relative Humidity</b>	Up to 100%
<b>Corrosion Test Method</b>	IEC 60068-2-11, 30 days
<b>Ingress Protection Test Method</b>	IEC 60529:2001, IP67

## Packaging and Weights

<b>Included</b>	Mounting hardware
<b>Mounting Hardware Weight</b>	0.5 kg   1.102 lb
<b>Volume</b>	2.3 L
<b>Weight, without mounting hardware</b>	4.5 kg   9.921 lb