

TTA-UMG101H-06

UMTS | Twin TMA | AISG v2.0 | Fixed Gain

- UMTS, twin TMA, AISG v2.0, fixed gain
- Increases coverage and capacity
- Helps to minimize site acquisition issues
- Reduces the cost of network expansion



| RF Characteristics | | |
|---|----------------------------------|-------------------------------|
| Downlink (TX) Path | | |
| Frequency Band | 2110-2170 MHz | |
| Insertion Loss (Average) | < 0.25 dB | |
| Return Loss | ≥ 18 dB | |
| Input Power | < 160 CW | |
| Peak Power | < 2000 W (+63 dBm) | |
| PIM in RX Band (2x43 dBm) | ≤ -117 dBm | |
| Uplink (RX) Path | | |
| Frequency Band | 1920-1980 MHz | |
| Gain | Fixed (±1.0 dB) | 12 dB |
| | Adjustable | 8-16 dB |
| Return Loss | DC On | ≥ 18 dB |
| | DC Off | ≥ 15 dB |
| Noise Figure (average) | < 1.2 dB | |
| Insertion Loss, Bypass Mode | ≤ 3.0 dB (DC Off) | |
| Output 1 dB compression point | ≥ 8 dBm (12 dB Gain) | |
| Output IP3 (typical) | ≥ 24 dBm | |
| Power Supply and Alarm | CWA Mode (Single Port) | AISG Mode (Total Port) |
| DC Supply Voltage | 8.5 to 15 V | 9 to 30 V |
| Operating Current per TMA (without RET) | at 12 V | 99 ± 5 mA |
| | at 17 V | 74 ± 5 mA |
| | at 30 V | --- |
| Alarm Management | 150-280 mA | AISG |
| Power Consumption | < 3.5 W | |
| Environmental Characteristics | | |
| Operating Temperature Range | -40° to +65° C (-40° to +149° F) | |
| Lightning | 10 kA (8/20 μs) | |
| Ingress Protection | IP67 | |
| MTBF | >1.0 Mh | |
| EMC | ETS 300 342-3 | |

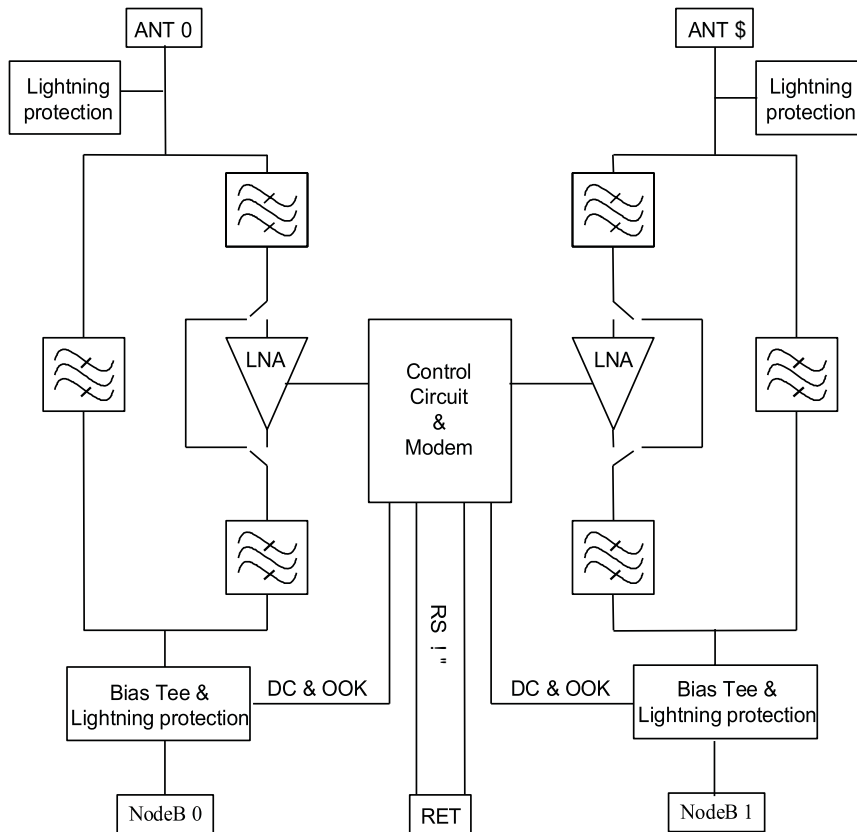


Quoted performance parameters are provided to offer typical, peak or range values only and may vary as a result of normal testing, manufacturing and operational conditions. Extreme operational conditions and/or stress on structural supports is beyond our control. Such conditions may result in damage to this product. Improvements to products may be made without notice.

TTA-UMG101H-06

UMTS | Twin TMA | AISG v2.0 | Fixed Gain

| Mechanical Characteristics | | | |
|-------------------------------------|------|--------------------------------|---------------------|
| Dimensions - Length x Width x Depth | | 205 x 160 x 54 mm | 8.1 x 6.3 x 2.1 in |
| Weight with Brackets | | ≤ 3.3 kg | ≤ 7.3 lbs |
| Packing Dimensions | | 380 x 205 x 130 mm | 15.0 x 8.1 x 5.1 in |
| Packing Weight | | ≤ 4 kg | ≤ 8.8 lbs |
| Connectors (number, type) | BTS | 2 Connectors / 7/16-DIN Female | |
| | ANT | 2 Connectors / 7/16-DIN Female | |
| | AISG | 8-pin female, IEC 60130-9 | |
| Mounting Characteristics | | | |
| Wall or Mast Mounting | | Attaches to Mast Diameter | |
| | | 30-125 mm | 1.2-4.9 in |
| Block Diagram | | | |



Quoted performance parameters are provided to offer typical, peak or range values only and may vary as a result of normal testing, manufacturing and operational conditions. Extreme operational conditions and/or stress on structural supports is beyond our control. Such conditions may result in damage to this product. Improvements to products may be made without notice.