

## TTA-GLG120H

900 E-GSM | Twin TMA | AISG v2.0 | Fixed Gain

- 900 E-GSM, twin TMA, AISG v2.0, fixed gain
- Increases coverage and capacity
- Helps to minimize site acquisition issues
- Reduces the cost of network expansion



Ordering Options		Model Number
7/16-DIN Female Connectors		TTA-GLG120H
4.3/10 Female Connectors		TTA-GLG120H-43F
RF Characteristics		
Downlink (TX) Path		
Frequency Band	925-960 MHz	
Insertion Loss (typical)	< 0.55 * < 0.8 dB over temp	
Return Loss (min)	≥ 18 dB	
Continuous Average Power	200 W (53 dBm)	
Intermodulation, 2x43 dBm TX carrier BTS port	-117 dBm in RX band, ANT port	
Uplink (RX) Path		
Frequency Band	880-915 MHz	
Gain (nominal)	12 dB	
Return loss	≥ 16 dB	
Noise Figure (typical)	1.4 dB	
Insertion Loss, Bypass Mode (typical)	2.7 dB	
Return Loss, Bypass Mode (typical)	≥ 12 dB	
Output IP3 (typical)	25 dBm	
Power Supply and Alarm		Current Window Alarm Mode
DC		9 to 15 V
Power		10-130 mA
Alarm		170-180 mA (9-15V input)
		AISG Mode
DC		9 to 30 V
Power		< 2 W
Alarm		3GPP/AISG v2.0
Environmental Characteristics		
Operating Temperature Range		-40° to +65° C (-40° to +149° F)
Operation		ETS 300 019-1-4 Class 4.1E
Storage		ETS 300 019-1-1 Class 1.2
Ingress Protection		IP67
Lightning Protection	(ANT, BTS)	10 kA 8/20 μs
	RET port	5 kA common mode
EMC		EN 301 489-8
Safety Standards		IEC/EN 62368-1
MTBF		1.4 Mh/TMA min

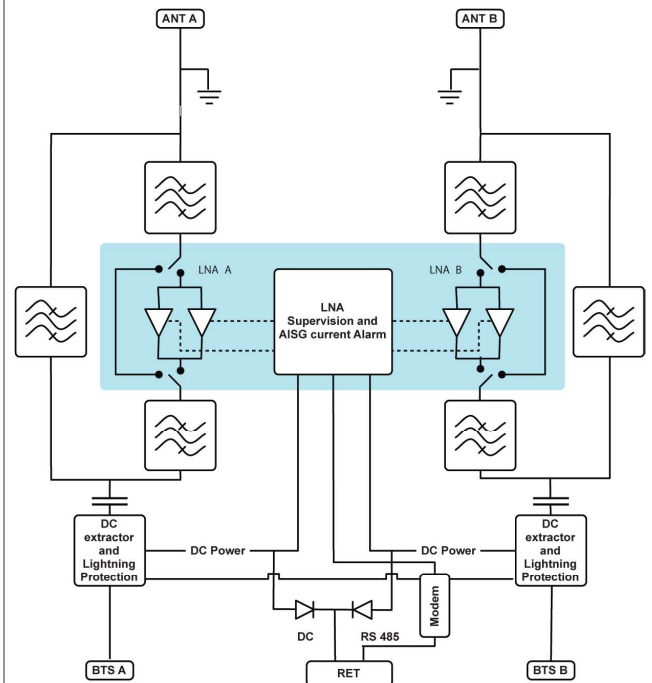
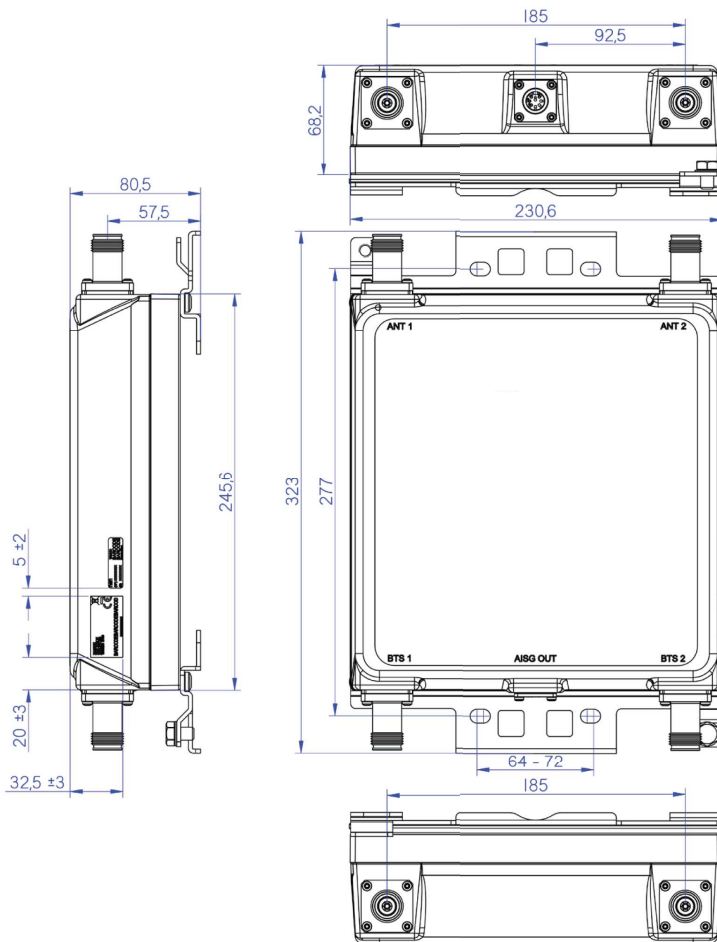


Quoted performance parameters are provided to offer typical or range values only and may vary as a result of normal manufacturing and operational conditions. Extreme operational conditions and/or stress on structural supports is beyond our control. Such conditions may result in damage to this product. Improvements to product may be made without notice.

## TTA-GLG120H

900 E-GSM | Twin TMA | AISG v2.0 | Fixed Gain

Mechanical Characteristics		
Dimensions - Length x Width x Depth		246 x 231 x 68 mm      9.7 x 9.1 x 2.7 in
Gross Weight		5.5 kg      12.1 lbs
Connectors (number, type)	BTS	2 Connectors / 7/16-DIN Female or 4.3-10 Female Connectors
	ANT	2 Connectors / 7/16-DIN Female or 4.3-10 Female Connectors
	AISG	1 connector / 8 pin circular
Color		NCS 1502-R
Mounting (Supporter Pole Diameter: 40-140 mm)		Hose clamps, arbitrary orientation
Dimensions (TTA-GLG120H-43F shown)		Block Diagram



Quoted performance parameters are provided to offer typical or range values only and may vary as a result of normal manufacturing and operational conditions. Extreme operational conditions and/or stress on structural supports is beyond our control. Such conditions may result in damage to this product. Improvements to product may be made without notice.