

## TTA-CLG100H

850 MHz | Compact Twin TMA | AISG v2.0 | Fixed Gain

- 850 MHz, compact twin TMA, AISG v2.0, fixed gain
- Increases coverage and capacity
- Helps to minimize site acquisition issues
- Reduces the cost of network expansion



Ordering Options		Model Number
7/16-DIN Female Connectors		TTA-CLG100H
4.3/10 Female Connectors		TTA-CLG100H-43F
RF Characteristics		
Downlink (TX) Path		
Frequency Band	869-894 MHz	
Insertion Loss (typical)	0.35 dB	
Return Loss	≥ 18 dB	
Continuous Average Power (53 dBm)	200 W	
Intermodulation (2x43 dBm TX carrier, BTS Port)	-116 dBm in TX band, ANT port	
Uplink (RX) Path		
Frequency Band	824-849 MHz	
Gain (nominal)	12 dB	
Return Loss	≥ 16 dB	
Noise Figure (typical)	1.3 dB	
Insertion Loss, Bypass Mode (typical)	1.5 dB	
Return Loss, Bypass Mode	≥ 12 dB	
Output IP3 (typical)	25 dBm	
Power Supply and Alarm		AISG Mode
DC	Current Window Alarm Mode 9 to 17 V DC	9-30 V
Power	120 mA	< 2 W
Alarm	160-300 mA, factory configurable	3GPP/AISG v2.0
Environmental Characteristics		
Operating Temperature Range	-40° to +65° C (-40° to +149° F)	
Operation	ETS 300 019-1-4 Class 4.1E	
Storage	ETS 300 019-1-1 Class 1.2	
Ingress Protection	IP68	
EMC	FCC Part 15	
Safety Standards	EN60950	
Lightning Protection	ANT, BTS	10 kA 8/20 μs
	RET Port	5 kA common mode
MTBF (minimum)	1.4 Mh/TMA	

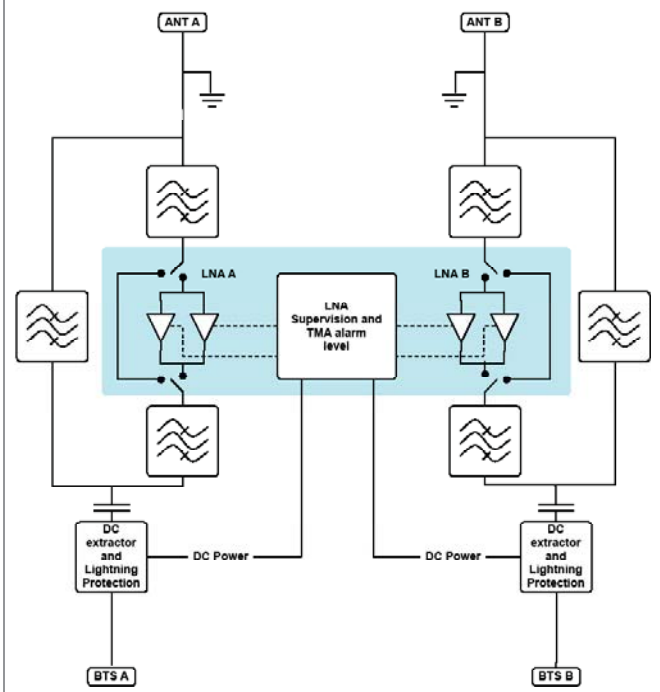
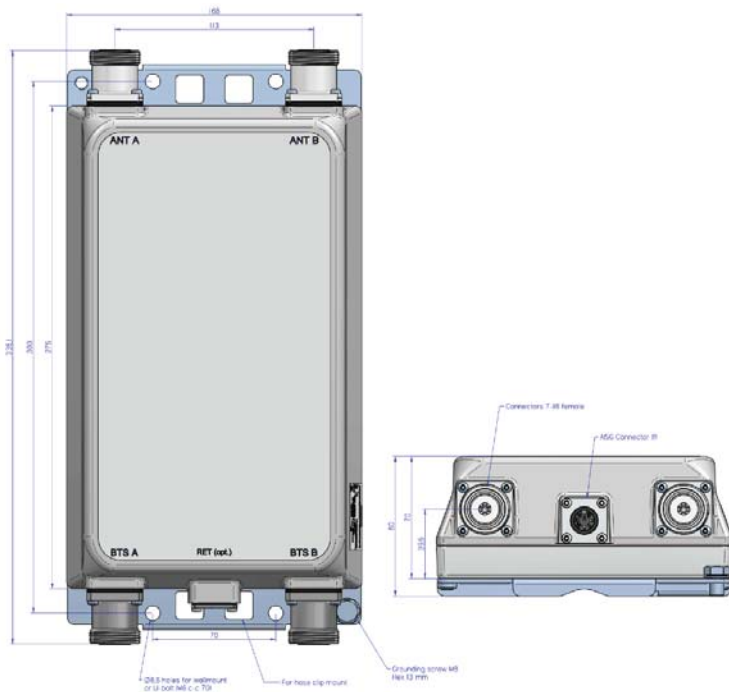


Quoted performance parameters are provided to offer typical or range values only and may vary as a result of normal manufacturing and operational conditions. Extreme operational conditions and/or stress on structural supports is beyond our control. Such conditions may result in damage to this product. Improvements to product may be made without notice.

## TTA-CLG100H

850 MHz | Compact Twin TMA | AISG v2.0 | Fixed Gain

Mechanical Characteristics		
Dimensions - Length x Width x Depth	275 x 168 x 70 mm      10.8 x 6.6 x 2.8 in	
Gross Weight	4.9 kg      10.8 lbs	
Connectors (number, type)	BTS	2 Connectors / 7/16-DIN Female or 4.3/10 Female
	ANT	2 Connectors / 7/16-DIN Female or 4.3/10 Female
	AISG	1 Connector / 8 pin circular
Color	NCS 1502-R	
Mounting	Hose clamps, arbitrary orientation	
Dimensions (TTA-CLG100H shown)	Block Diagram	



Quoted performance parameters are provided to offer typical or range values only and may vary as a result of normal manufacturing and operational conditions. Extreme operational conditions and/or stress on structural supports is beyond our control. Such conditions may result in damage to this product. Improvements to product may be made without notice.