

TTA-CBG110H

700 MHz | Twin TMA | AISG v2.0 | Fixed Gain

- 700 MHz, twin TMA, AISG v2.0, fixed gain
- Increases coverage and capacity
- Helps to minimize site acquisition issues
- Reduces the cost of network expansion



Ordering Options	Model Number
7/16-DIN Female Connectors	TTA-CBG110H
4.3/10 Female Connectors	TTA-CBG110H-43F
RF Characteristics	
Downlink (TX) Path	
Frequency Band	773-803 MHz
Insertion Loss (typical)	0.35 dB
Return Loss	≥ 18 dB
Continuous Average Power (50 dBm)	100 W
Intermodulation (2x43 dBm TX carrier, BTS Port)	-116 dBm in RX band, ANT port
Uplink (RX) Path	
Frequency Band	718-748 MHz
Gain (nominal)	12 dB
Noise Figure (typical)	1.3 dB
Insertion Loss, Bypass Mode (typical)	1.5 dB
Return Loss, Bypass Mode	≥ 12 dB
Output IP3 (typical)	25 dBm
Input Rejection at 698 MHz	> 25 dB
Power Supply and Alarm - AISG Mode	
Control Protocol	3GPP/AISG v2.0
DC Supply Voltage	9 to 30 V
Power Consumption	< 2 W
Environmental Characteristics	
Operating Temperature Range	-40° to +65° C (-40° to +149° F)
Operation	ETS 300 019-1-4 Class 4.1E (2.1.2)
Storage	ETS 300 019-1-1 Class 1.3E (2.1.4)
Transport	ETS 300 019-1-2 Class 2.3 (2.1.4)
Ingress Protection	IP67
EMC	EN-301 489-23
Safety Standards	EN 60950
MTBF (minimum)	1.2 Mh/TMA

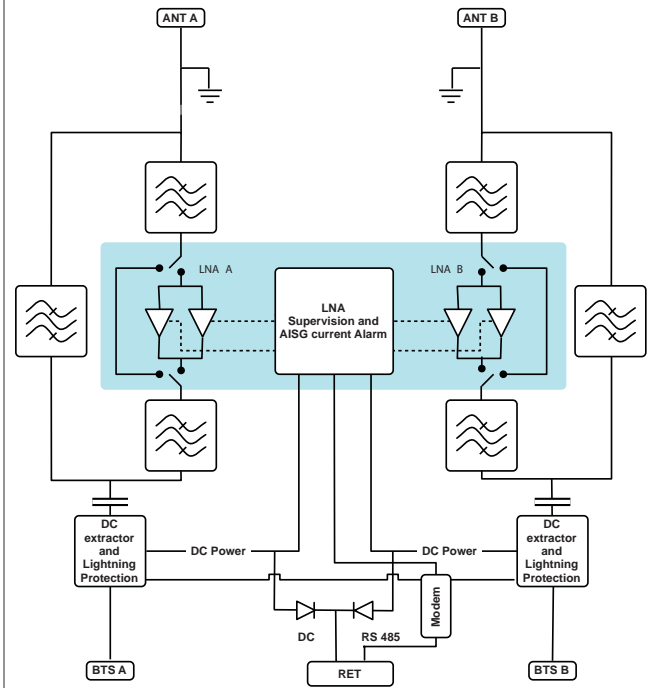
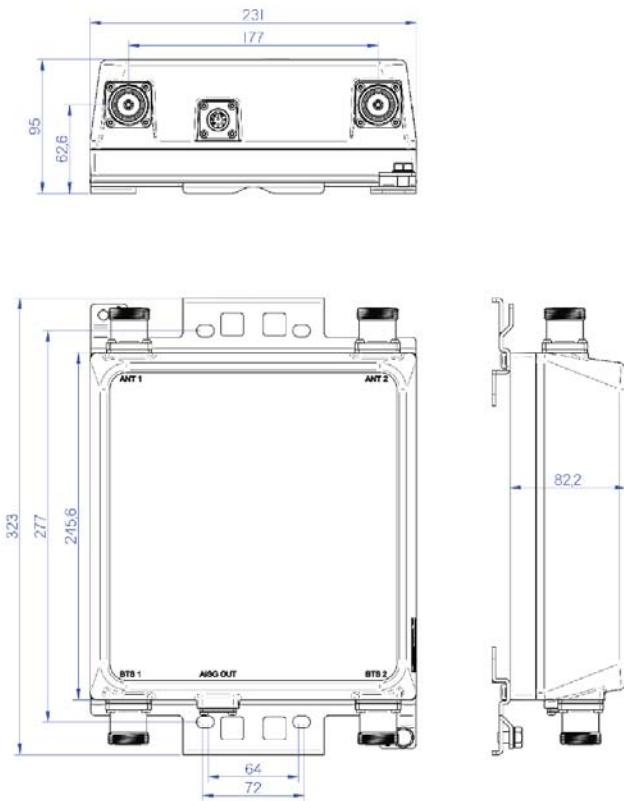


Quoted performance parameters are provided to offer typical or range values only and may vary as a result of normal manufacturing and operational conditions. Extreme operational conditions and/or stress on structural supports is beyond our control. Such conditions may result in damage to this product. Improvements to product may be made without notice.

TTA-CBG110H

700 MHz | Twin TMA | AISG v2.0 | Fixed Gain

Mechanical Characteristics		
Dimensions - Length x Width x Depth		246 x 231 x 82 mm 9.7 x 9.1 x 3.2 in
Gross Weight		6.5 kg 14.3 lbs
Connectors (number, type)	BTS	2 Connectors / 7/16-DIN Female or 4.3/10 Female
	ANT	2 Connectors / 7/16-DIN Female or 4.3/10 Female
	AISG	1 Connectors / 8 pin circular / Female
Color		NCS 1502-R
Mounting		Hose clamps, arbitrary orientation
Dimensions (shows 7/16-DIN connectors)		Block Diagram



Quoted performance parameters are provided to offer typical or range values only and may vary as a result of normal manufacturing and operational conditions. Extreme operational conditions and/or stress on structural supports is beyond our control. Such conditions may result in damage to this product. Improvements to product may be made without notice.