

## TTA-ASG100H

AWS | Twin TMA | AISG v2.0 | Fixed Gain

- AWS, twin TMA, AISG v2.0, fixed gain
- Increases coverage and capacity
- Helps to minimize site acquisition issues
- Reduces the cost of network expansion



Ordering Options		Model Number
7/16-DIN Female Connectors		TTA-ASG100H
4.3/10 Female Connectors		TTA-ASG100H-43F
RF Characteristics		
Downlink (TX) Path		
Frequency Band	2110-2170 MHz	
Insertion Loss (typical)	0.3 dB	
Continuous Average Power (53 dBm)	200 W	
Intermodulation (2x43 dBm TX carrier, BTS Port)	-125 dBm in RX band, ANT port	
Uplink (RX) Path		
Frequency Band	1710-1770 MHz	
Gain (nominal)	12 dB	
Noise Figure (typical)	1.3 dB	
Insertion Loss, Bypass Mode (typical)	2.0 dB	
Output IP3 (typical)	25 dBm	
Power Supply and Alarm		AISG Mode
DC	9 to 15 V	9 to 30 V
Power	80 to 130 mA	< 2 W
Alarm Mode	170 to 180 mA	3GPP/AISG v2.0
Environmental Characteristics		
Operating Temperature Range	-40° to +65° C (-40° to +149° F)	
Operation	ETS 300 019-1-4, Class 4.1E	
Storage	ETS 300 019-1-1, Class 1.2	
Ingress Protection	IP67	
EMC	EN 301 489-8	
Safety Standards	EN 60950	
MTBF (minimum)	1.2 Mh/TMA	

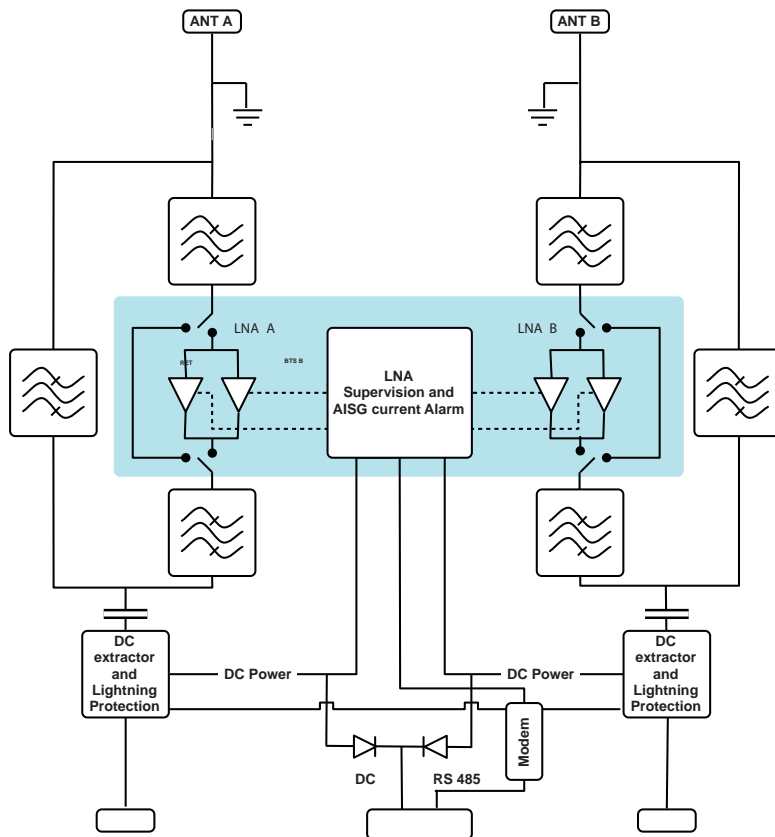


Quoted performance parameters are provided to offer typical or range values only and may vary as a result of normal manufacturing and operational conditions. Extreme operational conditions and/or stress on structural supports is beyond our control. Such conditions may result in damage to this product. Improvements to product may be made without notice.

## TTA-ASG100H

AWS | Twin TMA | AISG v2.0 | Fixed Gain

Mechanical Characteristics		
Dimensions - Length x Width x Depth	174 x 152 x 50 mm      6.9 x 6.0 x 2.0 in	
Gross Weight	2.5 kg      5.5 lbs	
Connectors (type)	BTS	2 Connectors / 7/16-DIN Female or 4.3/10 Female
	ANT	2 Connectors / 7/16-DIN Female or 4.3/10 Female
	AISG	1 Connector / 8 -Pin Circular Female
Color	NCS 1502-R	
Mounting	Hose clamps, arbitrary orientation	
Block Diagram		



Quoted performance parameters are provided to offer typical or range values only and may vary as a result of normal manufacturing and operational conditions. Extreme operational conditions and/or stress on structural supports is beyond our control. Such conditions may result in damage to this product. Improvements to product may be made without notice.