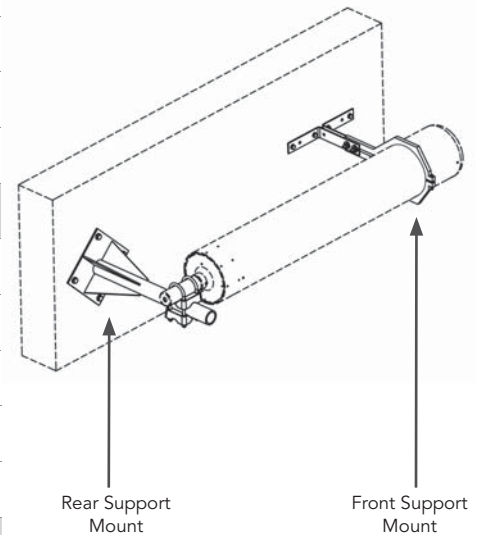


## 7499000

Dual Band | Shrouded Yagi | Circular Polarization | 33°-42° / 25°-33° | 12.6 / 14.7 dBi | Fire Retardant Shroud

- Dual Band, Yagi antenna includes fire retardant shroud
- Robust antenna design will ensure reliable operation and excellent performance

Electrical Characteristics		
Frequency Band	870-960 MHz	1710-1880 MHz
Polarization	Circular	
Horizontal Beamwidth (-3 dB)	33° - 42°	25° - 33°
Gain	11.2 - 12.6 dBi	13.6 - 14.7 dBi
VSWR	<1.5:1 maximum	<1.3:1 typical
Front-to-Back Ratio	18 dB	
Power Rating	50 W	50 W
Connector(s)	N-Female / Rear of Mounting Tube	
Mechanical Characteristics		
Dimensions Length x Diameter	935 x 180 mm	36.8 x 7.1 in
Weight without Mounting Bracket	6.0 kg	13.0 lbs
Wind Load (160 km/hr or 100 mph)	170 N	38 lbf
Packing Dimensions Length x Width x Depth	1400 x 220 x 220 mm	55.1 x 8.7 x 8.7 in
Packing Weight	6.5 kg	14 lbs
Mounting Options		Part Number
Requires Cross-Over Casting + U-Bolt to match mounting mast diameter	Cross-Over Casting	0300284/00
	U-Bolt (2-inch)	4884036/00
	U-Bolt (3-inch)	4884076/00
	U-Bolt (4-inch)	4884035/00
Optional wall mount, front support		0900911/00
Optional wall mount, rear support		XSL9255121
Tunnel mount kit (front and rear)		XSL9254928

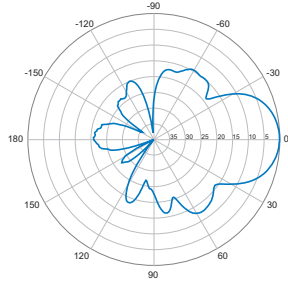


Quoted performance parameters are provided to offer typical or range values only and may vary as a result of normal manufacturing and operational conditions. Extreme operational conditions and/or stress on structural supports is beyond our control. Such conditions may result in damage to this product. Improvements to product may be made without notice.

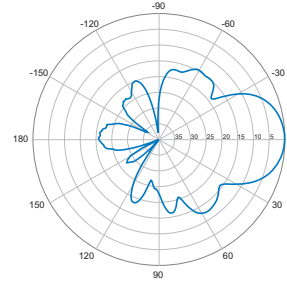
7499000

Dual Band | Shrouded Yagi | Circular Polarization | 33°-42° / 25°-33° | 12.6 / 14.7 dBi | Fire Retardant Shroud

870-960 MHz

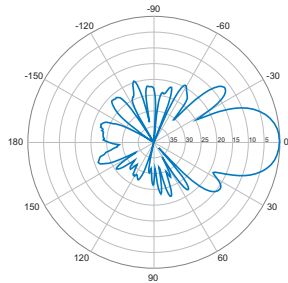


Horizontal | 870-960 MHz

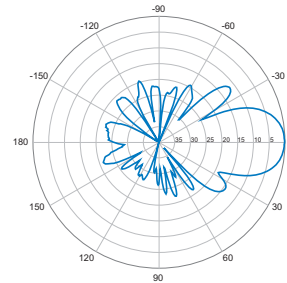


Vertical | 870-960 MHz

1710-1880 MHz



Horizontal | 1710-1880 MHz



Vertical | 1710-1880 MHz

Quoted performance parameters are provided to offer typical or range values only and may vary as a result of normal manufacturing and operational conditions. Extreme operational conditions and/or stress on structural supports is beyond our control. Such conditions may result in damage to this product. Improvements to product may be made without notice.